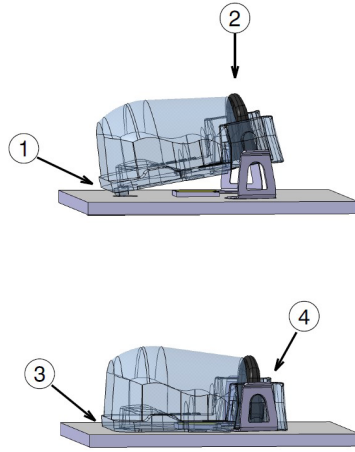


REV	DATE
002	19.11.2025

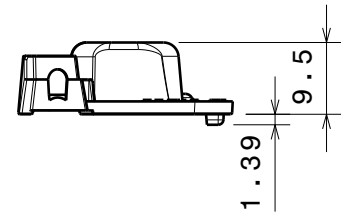
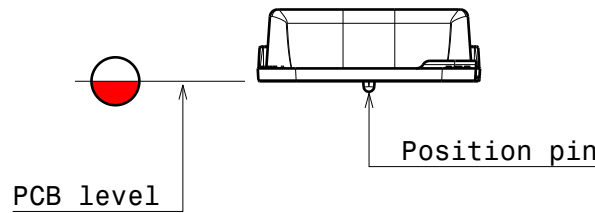
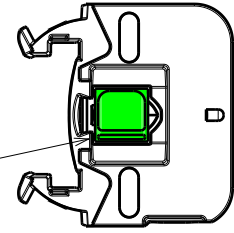
Placing the lens

1. Align the position pin with the hole
2. Press down until the clips lock
3. Check that there is no gap between lens and PCB
4. Check that the clips have locked properly

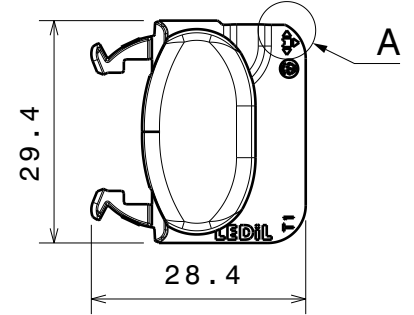
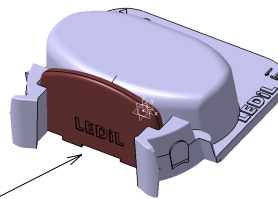


Det A
Beam direction

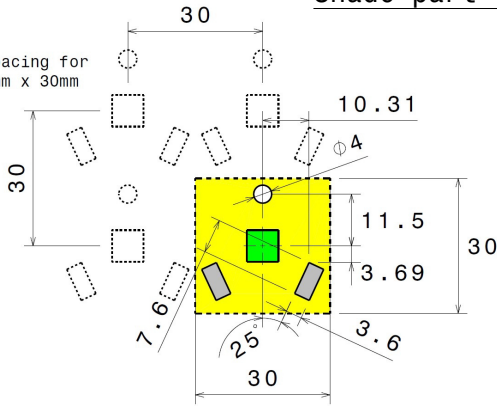
Led size max
7mm x 7mm



optional
Shade part



Minimum spacing for array: 30mm x 30mm



- LED position
- Solder clip pads
- Minimum space for the lens

Solder-Clip (2pcs each lens) and optional Shade part available from Ledil.
See more at www.ledil.com.

PART	MATERIAL	COLOR / COATING
L20414_STRADA-SQ-SC2-T1-M_mechanicalModel_001	PMMA	Clear

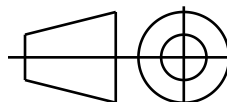
MECHANICAL DRAWING

PRODUCT
STRADA

LEDiL

Plastic moulding general tolerances according to DIN 16901-130 and applies if not otherwise shown in the drawing. Silicone moulding general tolerances according to ISO 3302-1 Class M3 and applies if not otherwise shown in the drawing.

FIRST ANGLE PROJECTION:



This drawing is the property of LEDiL Oy. It may not be copied or otherwise distributed without prior written permission from LEDiL Oy.

SCALE	1:1	WEIGHT	-	A4	SHEET 1/1
-------	-----	--------	---	----	-----------

D

A